

**Procedures to file a request to the
Danish Patent and Trademark Office for the use of the
PCT-Patent Prosecution Highway
Pilot Program between the
Danish Patent and Trademark Office (DKPTO) and National Institute
of Industrial Property of Brazil (INPI)**

PCT-Patent Prosecution Highway Pilot Program (PCT-PPH)

[0001] The PCT-PPH pilot program is established to enable an applicant, who has received

- (1) a Written Opinion (WO/ISA or WO/IPEA) from INPI, or
- (2) an International Preliminary Examination Report (IPER) from INPI,

that indicates that at least one claim in the PCT application has novelty, inventive step and industrial applicability, to file a PCT-PPH request to have the corresponding DK application enter into an accelerated procedure.

A request for PCT-PPH is free of charge at the DKPTO and there is no limit to the number of PCT-PPH requests. The DKPTO will accept patent applications in all technical fields.

The PPH program will be evaluated in due time to determine any future amendments of the program.

Requests to the DKPTO

[0002] An applicant should file a request for accelerated examination under the PCT-Patent Prosecution Highway (PPH) to the DKPTO by submitting a letter requesting accelerated examination under the PCT-PPH accompanied by the relevant supporting documents. The requirements for an application to the DKPTO for accelerated examination under the PCT-PPH are given in paragraph [0003] and relevant supporting documentation is discussed in paragraph [0004].

Requirements for requesting accelerated examination under the PCT-PPH Pilot Program at the DKPTO:

[0003] There are four requirements for requesting accelerated examination under the PCT-PPH pilot program at the DKPTO. These are:

- a) *The DKPTO application is either:*
 - (i) a national phase application of the corresponding international application (examples are provided in Annex 2: figures A, A', and A''); or
 - (ii) a national application from which the corresponding international application claims priority (example is provided in Annex 2: figure B);
 - (iii) a national phase application of an international application claiming priority

from the corresponding international application (example is provided in Annex 2: figure C); or

- (iv) a national application claiming priority from the corresponding international application (example is provided in Annex 2: figure D); or
- (v) a derivative application (divisional application, application claiming internal priority, etc.) of the application which satisfies one of the above requirements (i) – (iv) (examples are provided in Annex 2: figures E1 and E2).

b) *The application has one or more claims that are determined to be allowable in the latest work product of the corresponding PCT application*

The latest work product (WO/ISA, WO/IPEA or IPER) in the international phase of a PCT application corresponding to the application, must indicate that at least one claim is allowable (from the aspect of novelty, inventive step and industrial applicability). The applicant cannot file a request under PCT-PPH on the basis of an International Search Report (ISR) only.

Note that the ISA / IPEA which produced the WO/ISA, WO/IPEA and the IPER must be the INPI, however the application from which priority is claimed could be from any office, see Annex 2, example A' (application ZZ can be any national application).

c) *Claim correspondence*

All claims on file, as originally filed or as amended, for examination under the PCT-PPH must sufficiently correspond to one or more of those claims indicated as allowable in the INPI as ISA/IPEA.

Claims are considered to "sufficiently correspond" where, accounting for differences due to translations and claim format, the claims in the DKPTO are of the same or similar scope as the claims in the INPI, or the claims in the DKPTO are narrower in scope than the claims in the INPI.

In this regard, a claim that is narrower in scope occurs when a claim indicated as allowable in the INPI is amended to be further limited by an additional feature that is supported in the specification (description and/or claims).

A claim in the DKPTO which introduces a new/different category of claims to those claims indicated as allowable in the INPI is not considered to sufficiently correspond. For example, the claims indicated as allowable in the INPI only contain claims to a process of manufacturing a product, then the claims in the DKPTO are not considered to sufficiently correspond if the claims in the DKPTO introduce product claims that are dependent on the corresponding process claims.

d) *The DKPTO has not yet issued a "Communication of Approval"*

The DKPTO has not yet issued a "Communication of Approval." The heading of such communications is either

- "Berigtigelse" (in Danish) or "Intention to Grant" (in English), or
- "Godkendelse" (in Danish) or "Grant" (in English).

Documents to be submitted when filing a request for accelerated examination under the PCT-PPH:

[0004] The applicant must submit the following documents a)-d) attached to the request form (see Annex 3) when filing a request under PCT-PPH. All documents under this paragraph with exception for the cited documents have to be drawn up in English or translated to Danish or English.

a) *A copy of the latest international work product of the corresponding international application*

In case the application satisfies the relationship a(i) in paragraph [0003], the applicant does **not** need to submit a copy of the International Preliminary Report on Patentability (IPRP) because a copy of these documents is already available in the file-wrapper of the application. In addition, if the copy of the latest international work product is available via PATENTSCOPE[®], an applicant does not need to submit these documents, unless otherwise requested by the patent Office (WO/ISA and IPER are usually available as “IPRP Chapter I” and “IPRP Chapter II” respectively after 30 months from the priority date.). Machine translation into English is admissible.

b) *A copy of a set of claims which the latest international work product of the corresponding international application indicated as allowable*

If the copy of the set of claims which are indicated as allowable is available via PATENTSCOPE[®] (or the international Patent Gazette has been published), an applicant does not need to submit this document, unless otherwise requested by the patent Office. Where translations to English of the allowable claims are necessary, they must be submitted by the applicant since PATENTSCOPE[®] does not provide them. Machine translation is admissible.

c) *Copies of references cited in the latest international work product of the corresponding international application*

If the references are patent documents, the applicant does not have to submit them because the Office of the application usually has access to them. When the Office of the application does not have access to the patent document, the applicant has to submit the patent document at the examiner’s request. Non-patent literature must always be submitted.

Submission of translation of the references is not required. However, applicants will be free to file translations as part of the supporting documentation when initially requesting accelerated examination under the PCT-PPH to allow prompt consideration of the citations if the applicants so desire.

d) *Claim correspondence table*

The applicant must submit a claim correspondence table to explain the correspondence of claims determined to be allowable in the latest work product of the corresponding international application and all claims in the application (See Annex 4). The claim correspondence table must be written in either English or Danish.

e) *Request form*

An applicant should submit a request form (See Annex 3) for the accelerated examination under the PCT-PPH along with the documents referred to in paragraphs a)-d) above.

When the applicant has already submitted the documents mentioned above in paragraphs a)-d) to the patent Office in an examination procedure of the patent family application, through simultaneous or past procedures, the applicant may incorporate the documents by reference and is thus not required to attach the documents.

Procedure for the accelerated examination under the PCT-PPH

[0005] The applicant files request for accelerated examination under the PCT-PPH Pilot Program to the DKPTO, by filing the relevant supporting documents and a completed request form (see Annex 3). The application for accelerated examination under the PCT-PPH may be made by e-mail or conventional mail.

E-mail requests for PCT-PPH processing at the DKPTO must be sent to: pvs@dkpto.dk.

PCT-PPH requests sent by conventional mail must be sent to:

Danish Patent and Trademark Office
Helgeshøj Allé 81
2630 Taastrup
Denmark

The PCT-PPH request form should be the uppermost document when applying for accelerated examination by conventional mail to ensure that the request is processed correctly. All subsequent correspondence from the applicant to the DKPTO must be clearly identified as concerning a PCT-PPH pilot program application to ensure that the correspondence is processed correctly.

The DKPTO decides whether the application can be entitled the status of accelerated examination under the PCT-PPH when DKPTO receives a request with the documents stated above. When DKPTO decides that a request is acceptable, the application is assigned a special status for accelerated examination. The applicant will not be notified if the request is accepted.

If the request does not meet all the requirements set forth above, the applicant will be notified and the defects in the request will be identified. When the request is corrected by the applicant, the application will continue its accelerated examination under the PCT-PPH.

[0006] The PPH administrator will consider the request and if all requirements are met the PPH administrator will notify the relevant examining group. The DKPTO's patent examiners will conduct the accelerated examinations.

Examples for the claim correspondence table

The claims in the following cases are considered to “sufficiently correspond”.

EX.1

<i>Claims in the international phase</i>	<i>DKPTO claims</i>	<i>Comment</i>
<i>1</i>	<i>1</i>	<i>The DKPTO claim has the additional component on the claim that is determined to be patentable by INPI.</i>

Allowable claim, corresponding PCT-appl.	Claim, national appl.
<p>A system for presenting a container storing at least one article to a processing tool, comprising:</p> <p>(a) a load port, including:</p> <p>a frame having an opening;</p> <p>a support structure being adapted to receive a container, and</p> <p>a drive mechanism for moving said support structure substantially vertically between a first height and a second height; and</p> <p>(b) a conveyor for movably supporting the container substantially along a container transport plane;</p> <p>wherein a container traveling on said conveyer moves unobstructed over said support structure when said support structure is located in said second height,</p> <p>wherein the container traveling unobstructed does not contact said support structure while traveling over said support structure located at said second height,</p> <p>wherein said support structure, when located at said</p>	<p>A system for presenting a container storing at least one article to a processing tool, comprising:</p> <p>(a) a load port, including:</p> <p>a frame having an opening;</p> <p>a support structure being adapted to receive a container, and</p> <p>a drive mechanism for moving said support structure substantially vertically between a first height and a second height; and</p> <p>(b) a conveyor for movably supporting the container substantially along a container transport plane;</p> <p>wherein a container traveling on said conveyer moves unobstructed over said support structure when said support structure is located in said second height,</p> <p>wherein the container traveling unobstructed does not contact said support structure while traveling over said support structure located at said second height,</p> <p>wherein said support structure, when located at said</p>

<p>second height, is located below said</p> <p><u>*This additional part is NOT included in the allowable claim but it is included in the description of the national claim</u></p>	<p>second height, is located below said transport plane, <u>wherein said support structure, when located at said first height, is located above said transport plane*</u>.</p>
--	---

EX.2

<i>Claims in the international phase</i>	<i>DKPTO claims</i>	<i>Comment</i>
<i>1</i>	<i>1</i>	<i>Same</i>
<i>none</i>	<i>2</i>	<i>The DKPTO claim2 is dependent on the DKPTO claim1, which has been determined to be patentable by INPI.</i>

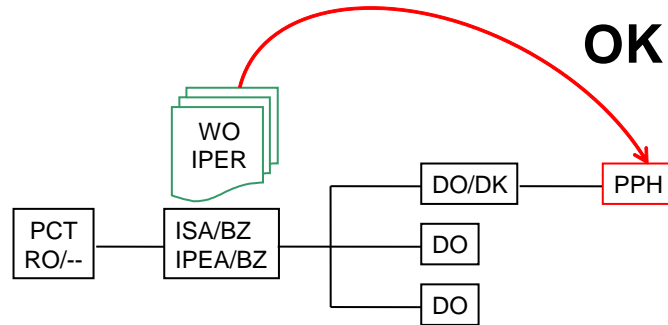
Allowable claim, corresponding PCT-appl.	Claim, national appl.
<p>1. A nitride-based semiconductor device comprising: a first semiconductor layer, consisting of either an n-type nitride-based semiconductor layer having a wurtzite structure or an n-type nitride-based semiconductor substrate having a wurtzite structure; and an n-side electrode formed on a back surface of said first semiconductor layer, wherein a dislocation density is not more than $1 \cdot 10^9 \text{cm}^{-2}$ in the vicinity of the interface between said first semiconductor layer and said n-side electrode, and contact resistance between said n-side electrode and said first semiconductor layer is not more than $0.05 \Omega \text{cm}^2$</p>	<p>1. (Same)</p>
<p>2. (None)</p>	<p>2. <i>The nitride-based semiconductor device according to claim 1, wherein said first semiconductor layer includes an n-type dopant*.</i></p>

**This additional part is NOT included in the allowable claim but it is included in the description of the national application*

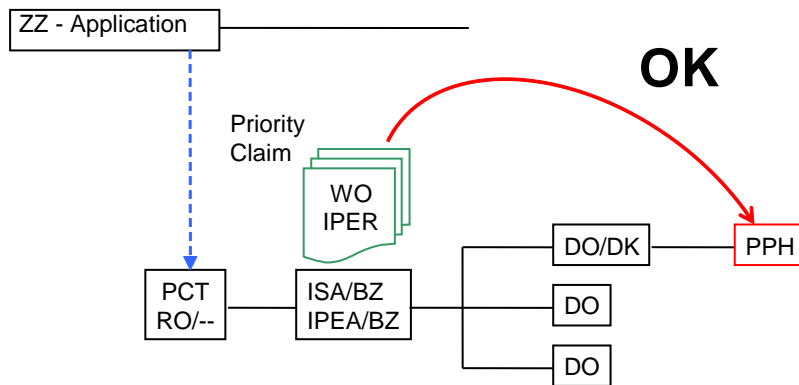
ANNEX 2

Examples of the applications eligible for PCT-PPH

(A) The application is a national phase application of the corresponding international application.

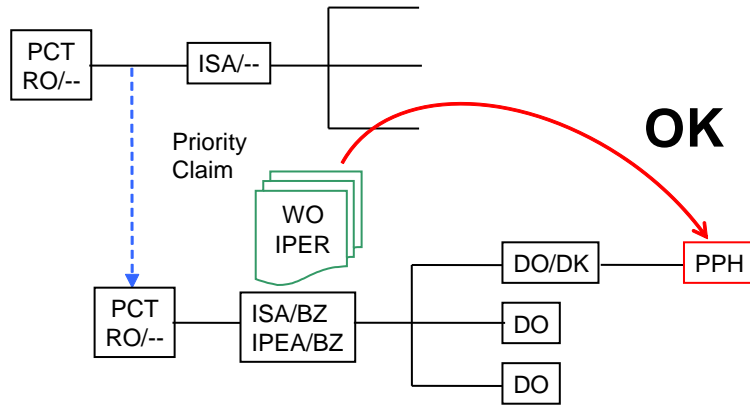


**(A') The application is a national phase application of the corresponding international application.
(The corresponding international application claims priority from a national application.)**

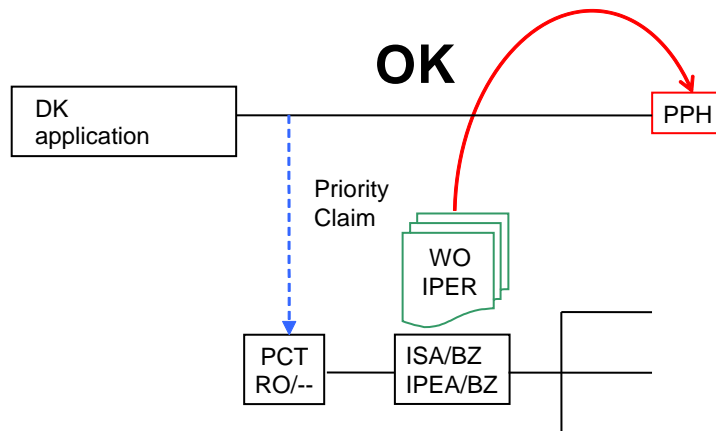


ZZ = any

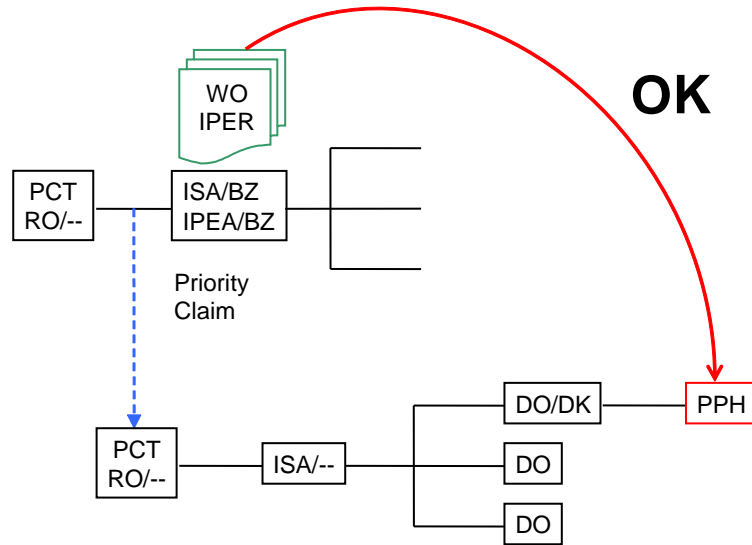
**(A'') The application is a national phase application of the corresponding international application.
(The corresponding international application claims priority from an international application.)**



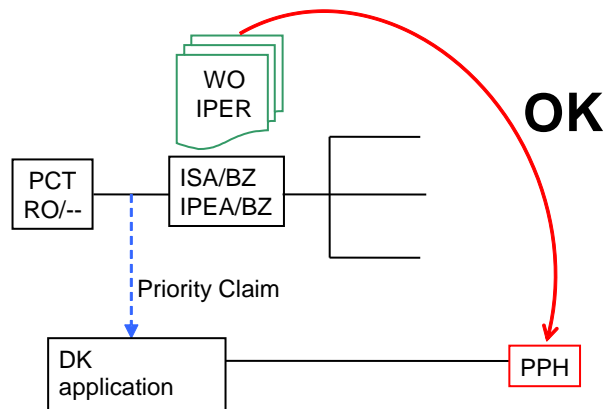
(B) The application is a national application from which the corresponding international application claims priority.



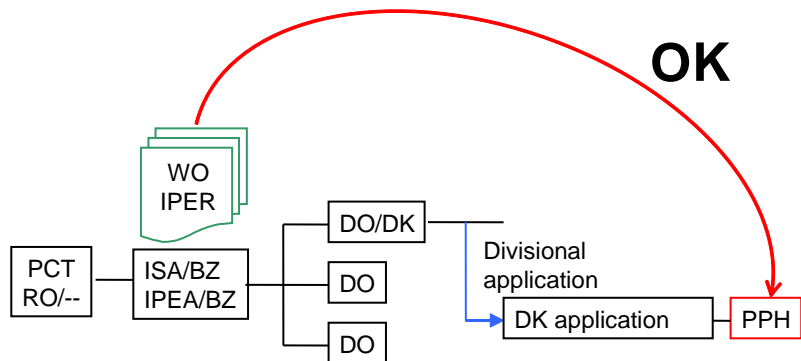
(C) The application is a national phase application of an international application claiming priority from the corresponding international application.



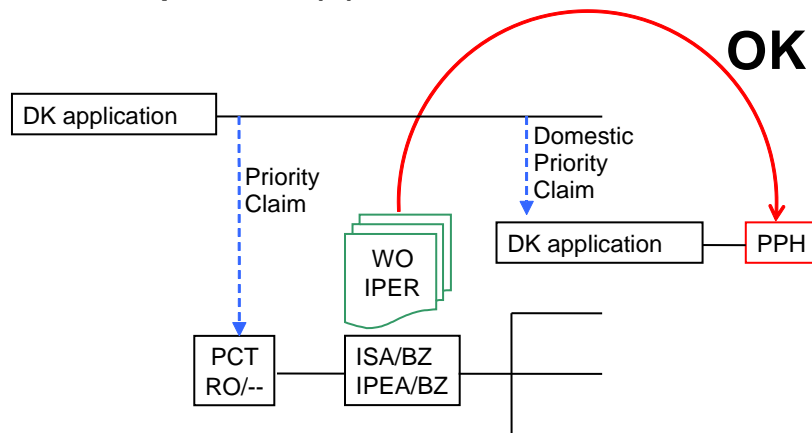
(D) The application is a national application claiming priority from the corresponding international application.



(E1) The application is a divisional application of an application which satisfies the requirement (A).



(E2) The application is an application claiming domestic priority from an application which satisfies the requirement (B).



ANNEX 3

PCT-PPH REQUEST

Request for Accelerated Examination at the DKPTO using the PCT international work products under the Patent Prosecution Highway Pilot Program between the DKPTO and INPI (PCT-PPH pilot program)

DK application number:

Corresponding PCT application number:

For the purposes of participation in the PCT-PPH, the following documents should be attached/are required:

1. Either:
 - 1a) A copy of WO-ISA, WO-IPEA or IPER in English or a translation thereof in Danish or English
 - or*
 - 1b) Request to obtain documents in 1a) via PATENTSCOPE[®]

2. Either:
 - 2a) A copy of all claims determined to be patentable/allowable by the ISA or IPEA in English or a translation thereof in Danish or English
 - or*
 - 2b) Request to obtain documents in 2a) via the PATENTSCOPE[®]

4. Copies of all documents cited in the WO-ISA, WO-IPEA or IPER (except for patent documents)

5. Claim correspondence table

Please ensure that this is the uppermost document when requesting accelerated examination under the PCT-PPH.

ANNEX 4

Claim Correspondence Table:

Claims in the international phase	DKPTO claims	Comments